

Installation Instructions

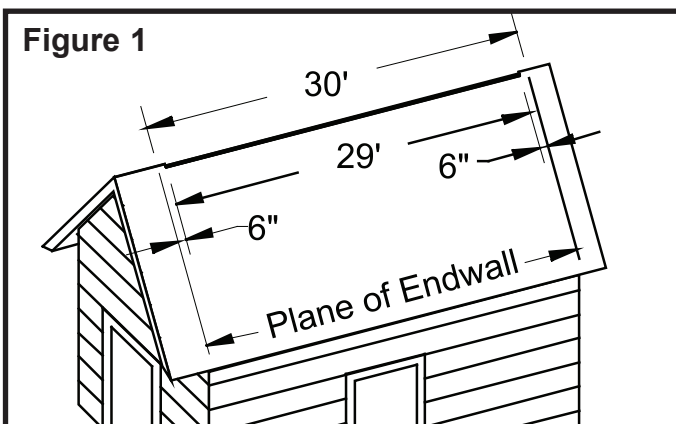
Congratulations on your purchase of the Lomanco LPR Lo-Profile Ridge Vent. The LPR is an exhaust vent and will help rid your attic of damaging heat and moisture when properly installed in conjunction with intake vents. The LPR will adjust from a 3/12 to a 12/12 pitch roof. Note: Not meant for use on multi-pitch roofs.

IMPORTANT! Read this **ENTIRE** set of instructions carefully before attempting to install Lomanco LPR Ridge Vent.

STEP-1 Determine length the of ridge vent you will need.

The LPR Vent comes in 8 and 10 foot lengths.

Measure along the ridge of your roof to determine the correct length of the installed vent. This installed length should not extend past the end walls of your home. Use the LPR sections to bring the ends of the vent as close as possible to the plane of the end-wall. (See Fig. 1).



When you have determined the overall length of vent to be installed, center the measurement between the ends of the roof and mark these two points.

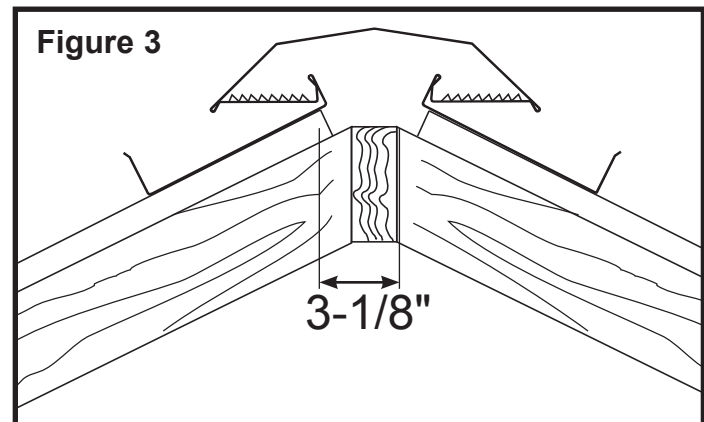
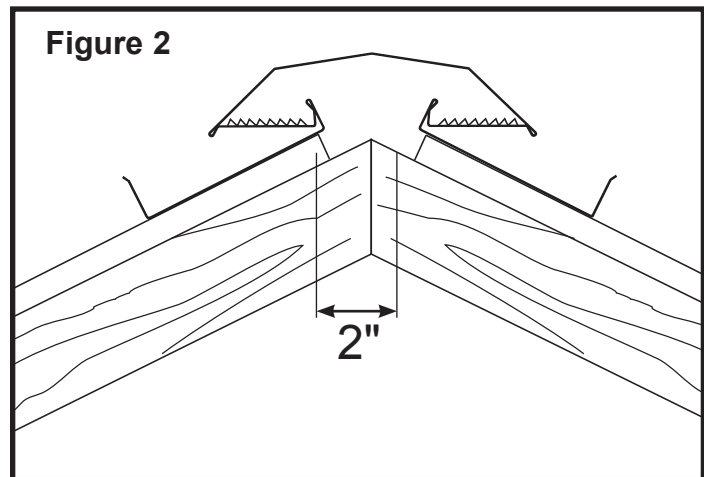
STEP-2 Determine the length of the hole to be cut in the ridge.

The hole in your ridge should be cut 6 inches inside the marks you made in Step 1. For instance, if you have determined your overall length of LPR Vent to be installed is 30', the hole should be no longer than 29' and should be centered inside your 30' measurement. (See Fig. 1).

STEP-3 Making the cut.

BEFORE YOU ATTEMPT TO CUT THE HOLE, it will be necessary to determine whether your ridge is built with "Truss Construction" or "Ridge Pole Construction." If you don't know, it will be necessary to look into the attic at the ridge to make this determination. If the rafters butt together, it is "Truss Construction", if the rafters "sandwich" a ridge pole, it is "Ridge Pole Construction".

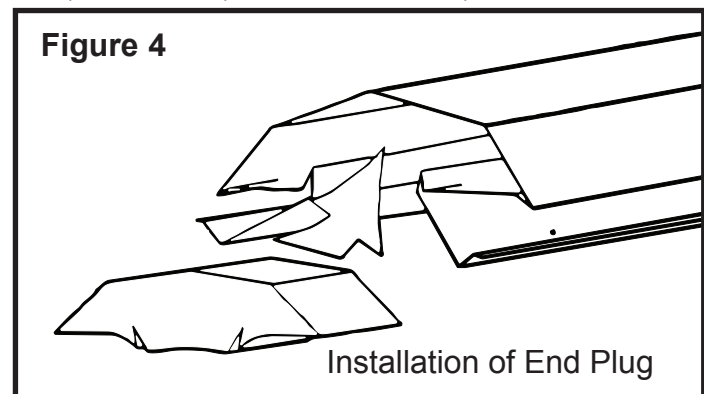
If the ridge is "Truss Construction," the cut should be 2 inches wide. If the ridge is "Ridge Pole Construction," the cut should be 3-1/8 inches wide. (See Figs. 2 & 3)



After determining the type of construction, mark the appropriate cut line. Be sure to begin and end the cut 6 inches inside the overall length of the vent as measured in Step 1 and Step 2.

The hole is best cut with a circular saw and care should be taken to set the depth of the blade to AVOID cutting the rafters or ridge pole.

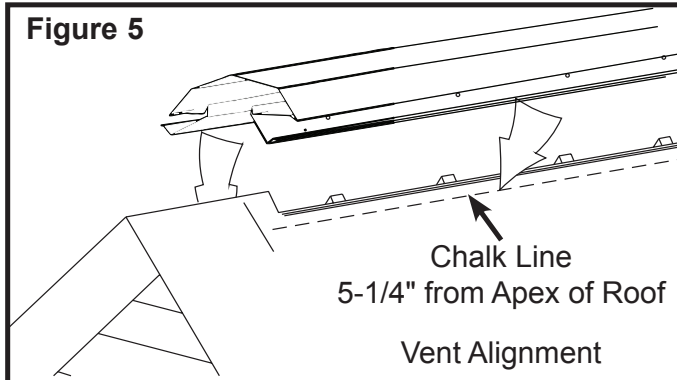
NOTICE: The LPR Ridge Vent is notched (on the male end) and blank (on the female end) for a male-female



assembly, endplugs are made to fit either end. Install the endplug on the male end before the vent is nailed down as shown in Fig 4. Push the louvers upward to form a tight fit.

STEP-4 Alignment

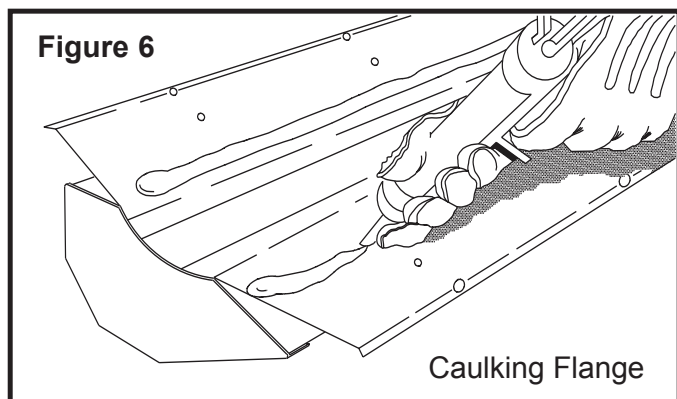
It is important to align the LPR Ridge Vent correctly. Regardless of the pitch of your roof, the outer edge of the LPR Ridge Vent should be approximately 5-1/4 inches from the apex of the roof. (See Fig. 5).



Once you determine your alignment, mark your alignment line with a chalk line and you're ready for installation.

STEP-5 Final Installation

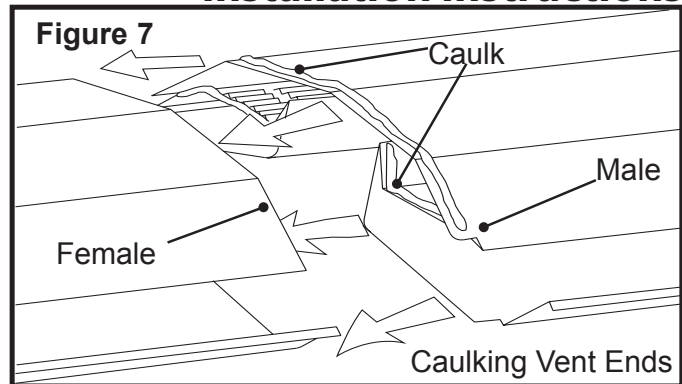
Apply caulk on the bottom flange of the vent sections close to where the roof hole will be after the vent is installed. (See Fig. 6).



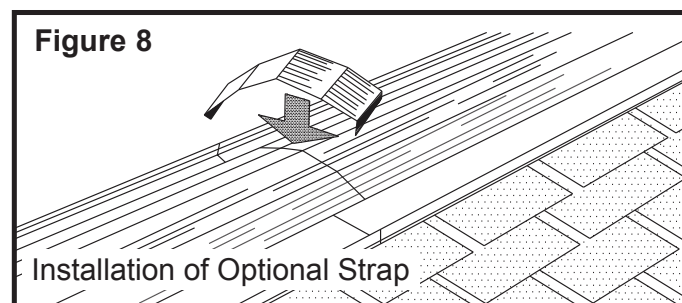
Align end of first section (with endplug installed) on the end marks and the bottom of the nailing flange on the chalk line. Then nail the section down using broad headed roofing nails, making sure to keep the bottom of the section aligned with the chalk line. As you proceed down the roof, caulk the male connection as shown in Fig. 7 and connect the male-female ends. Install the last end plug on the last vent section before nailing it down.

If desired, you may install the optional strap over the male-female connection. Peel the backing from the

LPR Ridge Vent Installation Instructions



adhesive tape, center the strap over the joint and press the strap on from one side to the other. The ends of the strap will hook over the outer edge of the LPR Vent. (See Fig. 8)



THREE MUST DO Steps to attic ventilation

- 1** **Install all Exhaust Ventilation at the SAME HEIGHT within a common attic area.**
 Installation of exhaust vents at more than one level on a roof allows the upper exhaust vent to pull air in from lower exhaust vents rather than from the intake vents. Intake air must come from intake vents located near the lower part of the attic space to properly ventilate the total attic area and eliminate weather infiltration.
- 2** **Install ONLY ONE TYPE of Exhaust Ventilation within a common attic area.**
 Exhaust Vents pull air from the easiest intake source. Vent types cannot be mixed. The use of different types of exhaust vents could make one of the vents act as intake for the other. Intake air must come from intake vents located near the lower part of the attic space to properly ventilate the total attic area and eliminate weather infiltration.
- 3** **Install a BALANCED SYSTEM of Intake and Exhaust Ventilation.**
50% Intake Ventilation - Intake vents located near the lower part of the attic area are required to balance out your ventilation system.
50% Exhaust Ventilation - Use a Lomanco Ventilation Selector Guide, or the calculators at lomanco.com to determine the number of vents needed to properly ventilate an attic to meet the Ventilation Minimum Property Standard.